



A Donaldson Company

A WORLD LEADER IN FUME EXTRACTION TECHNOLOGY

AD Base 3

LASER

Last Updated on 19.12.2018



The Laser Companion advantage extraction system for the laser engraving industries.

The Advantage Base 3 has been designed specifically for the universal Versa laser engraver. The dimensions of the unit allow the Versa laser to fit perfectly onto the extractor, effectively doubling it up as a work station.

The unit is also offered with an onboard air compressor to provide the laser with its air assist requirements and comes complete with extraction hose kit and compressor link up on compressor models.

Technology



DeepPleat DUO pre filter



HEPA filter



Reverse flow air (RFA) technology



Advanced carbon filter (ACF) technology



Patented technology



ProTECT service plan



SureCHECK quality standard

Key features of the AD Base 3

Filter condition indicator
Standard

DeepPleat DUO pre filter
Standard

On-board compressor
Optional

Filter change / System fail signal
Optional

Low noise level
Standard

VOC gas sensor (Volatile Organic Compound)
Optional

Remote stop / start interface
Optional

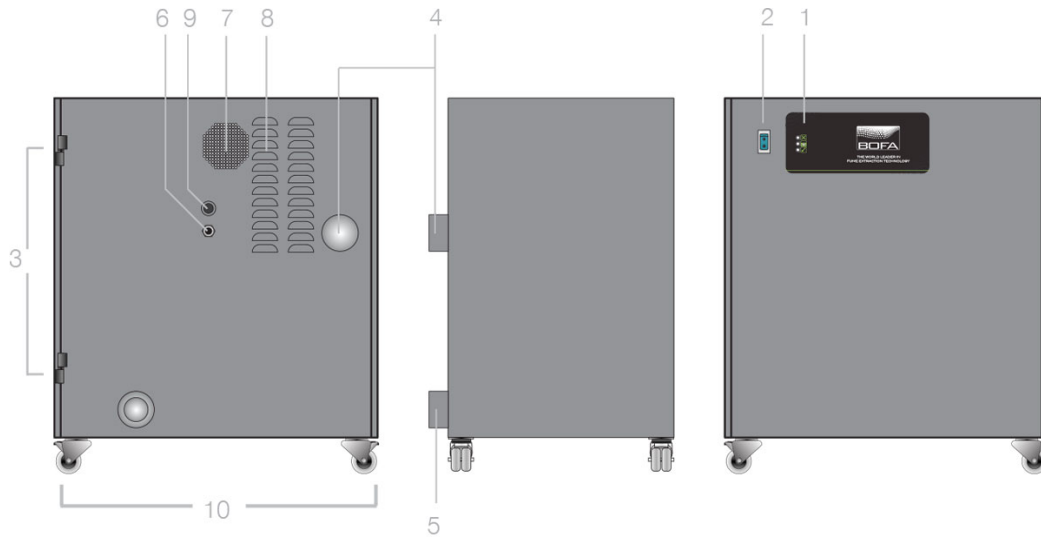
Contact BOFA at <https://bofainternational.com/en/contact/>

<https://bofainternational.com/en/portal/datasheets/ad-base-3/>

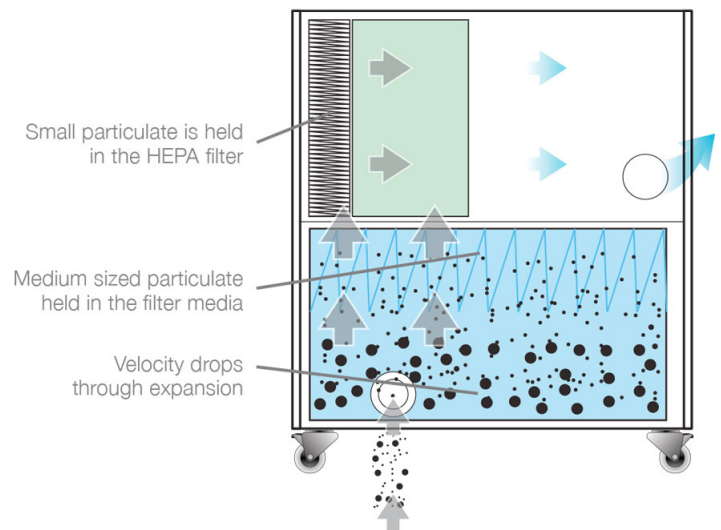
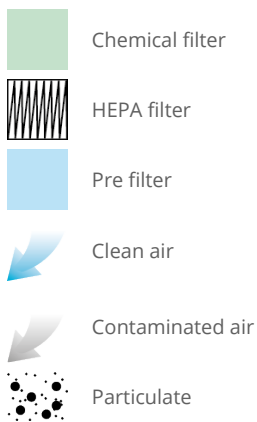


Technical specification

- | | | | |
|-------------------------------------------------------------|--------------------|------------------------|-------------------------|
| 1. Unit / Filter condition display - Automatic Flow Control | 2. On / off switch | 3. Door hinge | 4. Extracted air outlet |
| 5. Hose inlet connection - 75mm | 6. Power cable | 7. Motor cooling inlet | 8. Motor cooling outlet |
| 9. Compressed air outlet | 10. Castors | | |



Airflow through filters



Technical data

	EU	US
Dimensions (HxWxD)	775 x 510 x 680mm	30.51 x 20.08 x 26.77
Cabinet construction	Powder coated mild steel	Powder coated mild steel
Airflow / Pressure	180m ³ /hr / 30mbar	105cfm / 30mbar
Electrical data	230v 1ph 50/60Hz Full load current: 0.9 amps / 0.35kw	115v 60/50Hz Full load current: 1.2 amps / 0.35kw
Noise level	< 56dBA (at typical operating speed)	< 56dBA (at typical operating speed)
Weight	74kgs	163lbs
Approvals	CE	CE

DeepPleat DUO pre filter specifications

Surface media area	12m ² approx (129.12ft ²)
Filter media	Glass fibre
Filter media construction	Maxi pleat with webbing spacer
Filter housing	Mild steel
Filter efficiency	95% @ 0.9 microns

Combined filter specifications

HEPA filter media	Glass fibre
HEPA media construction	Maxi pleat
Surface media area	2.75m ² approx (29.59ft ²)
Filter housing	Mild Steel
Treated activated carbon	9kgs (19.8 lbs)
Filter efficiency	99.997% @ 0.3 microns

Part numbers

Model	Voltage	Part No.	24V Stop / Start	Filter change / System failure signal	VOC monitoring	Compressor
AD Base 3 powder coated	230V	L0342A	A2001	A2002	A2003	A2007
	115V	L0341A	A2001	A2002	A2003	A2007

Replacement filters

Model	DeepPleat DUO pre filter	Combined filter
AD Base 3	A1030045	A1030050

Hose kit

75-75mm kit

Part No. A1020017

1.5m 75mm flexible hose

2 x connection cuffs

75mm - 75mm Kit

Other languages

AD Base 3
[French](#)

Datasheet correct at time of publishing.



Where applicable, the carbon used in BOFA units is capable of removing a wide range of VOC's, however it is the responsibility of the user to ensure the carbon is suitable for their application. For specific applications, please contact us for details.

Think before you print! Please consider the environment before printing this document.

